

1

2

3

4

5

6

A

B

C

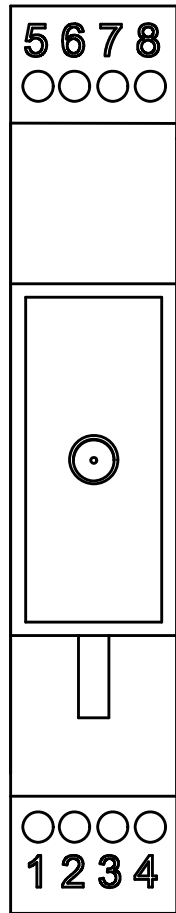
D

A

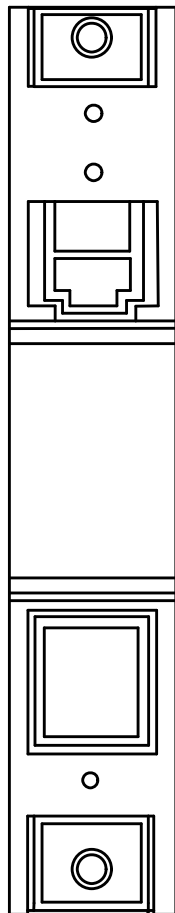
B

C

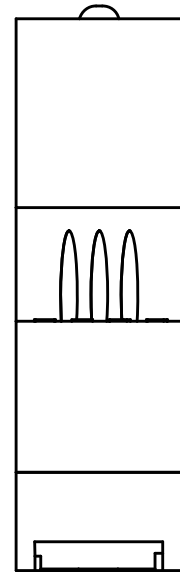
D



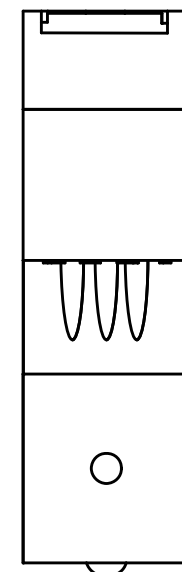
SCALE 1:1  
Front View



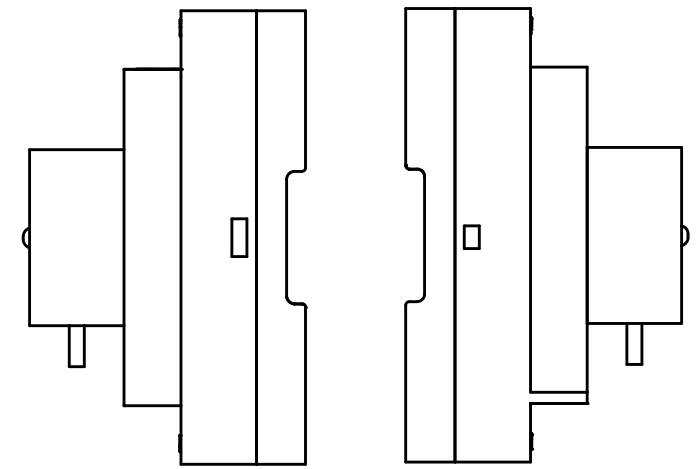
SCALE 1:1  
Back View



SCALE 1:1  
Top View

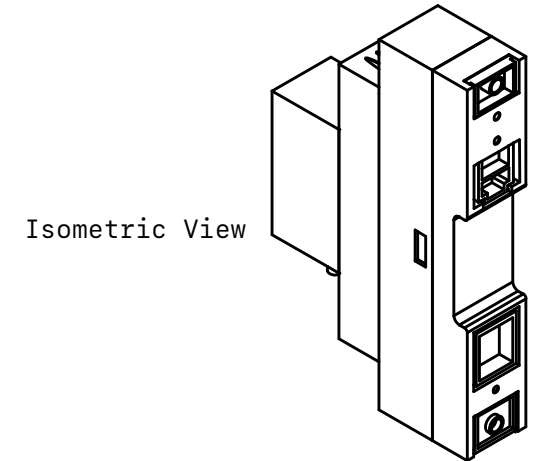


SCALE 1:1  
Bottom View

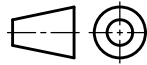


Right View

Left View



Isometric View

TITLE		
<b>Solar Monitoring System</b>		
LAST UPDATED	UNITS	SHEET
<b>09/27/22</b>	<b>cm</b>	<b>1 / 1</b>
FIRST ANGLE PROJECTION	SCALE	SIZE
	<b>1:2</b>	<b>A4</b>

1

2

3

4

5

6

1

2

3

4

A

A

B

B

C

C

D

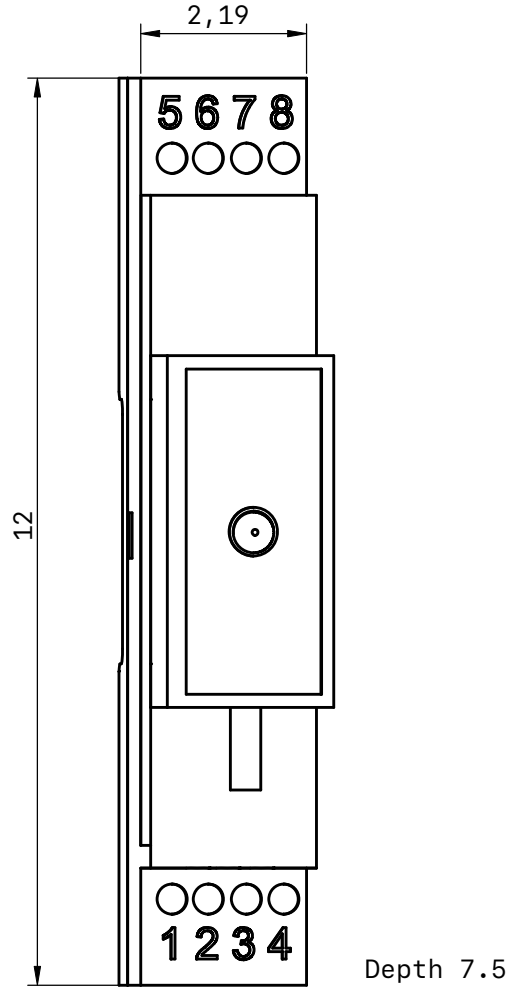
D

E

E

F

F



SCALE 1:1

TITLE

Solar Monitoring System

LAST UPDATED

09/27/22

UNITS

cm

SHEET

1 / 1

FIRST ANGLE PROJECTION



SCALE

1:2

SIZE

A4

1

2

3

4