

1

2

3

4

5

6

Front View

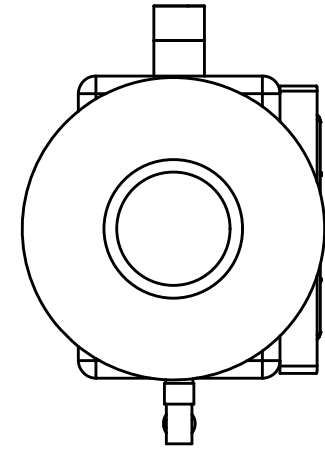
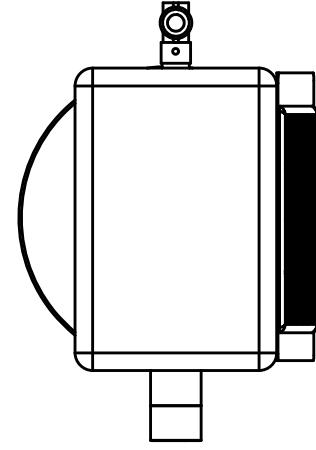
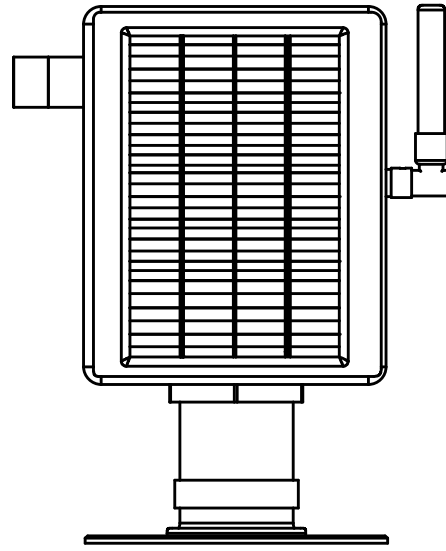
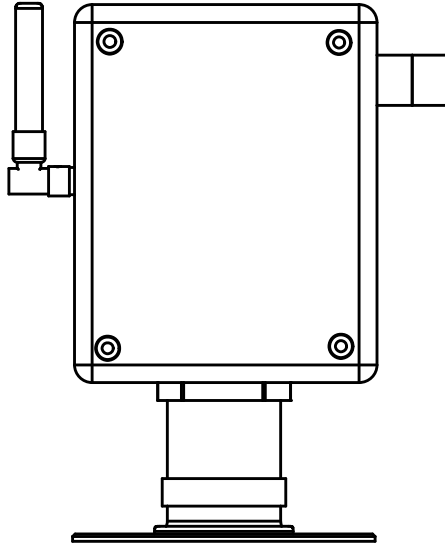
Back View

Top View

Bottom View

A

A



B

B

SCALE 1:3

SCALE 1:3

SCALE 1:3

SCALE 1:3

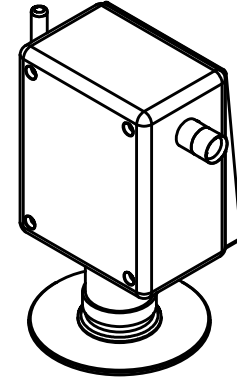
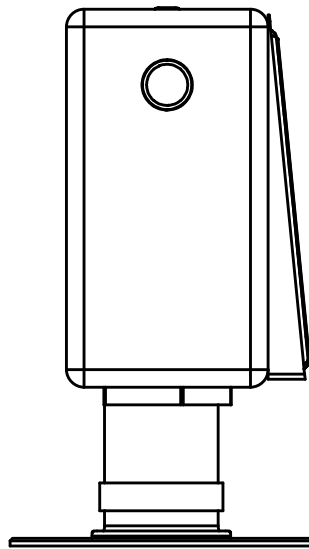
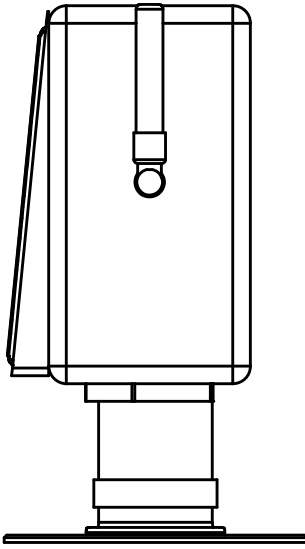
Left View

Right View

Isometric View

C

C



SCALE 1:5

D

D

SCALE 1:3

SCALE 1:3

TITLE

TRYSSENS WATER DEVICE

LAST UPDATED

09/22/22

UNITS

cm

SHEET

1 / 1

FIRST ANGLE PROJECTION



SCALE

1:1

SIZE

A4

1

2

3

4

5

6