

1

2

3

4

A

A

B

B

C

C

D

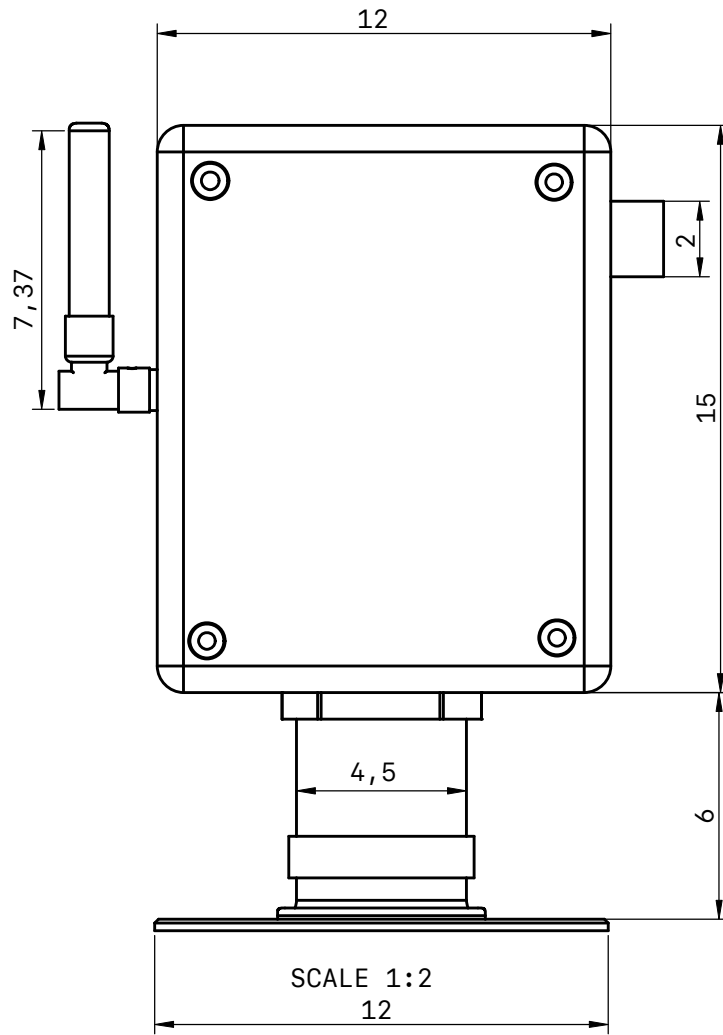
D

E

E

F

F



TITLE

TRYSENS WATER DEVICE

LAST UPDATED

09/22/22

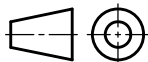
UNITS

cm

SHEET

1 / 1

FIRST ANGLE PROJECTION



SCALE

1:7

SIZE

A4

1

2

3

4